



# Cloverfour Renewable Energy Solutions

## Pitched Tile Roof Mounting

The Pitch tile roof mounting system is a roof-mounting system solution suitable for most types of pitched and flat roofs.

Using our innovative rail, rail splice kit and standard roof hooks, the system is easily assembled and saves labor and time.

### Specifications:

Standard AS/NZS 1170, Euro Code 8, DIN 1055, IBC 2006

Max wind speed 55m/sec

Snow load 1.4KN/m<sup>2</sup>

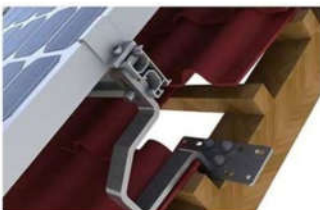
Material: Anodized Aluminium 6005-T5 & SUS304

Warranty: 10 Years and 25 Years service live.



### Key Benefit:

- Easy to install, the mounting modules can be attached to the extruded rail from all kinds of positions,
- Durability, the materials of all components is Aluminium 6005-T5 and all nuts and hooks are made of Stainless steel
- Design live more than 25 years and warranty of 10 years on all parts.



PT Vistana Insinyur Servis Co. reg. no (NPWP): 03.297.743.1-215.000

Sakura Garden Block AA no 7 Kampung Seraya Batu Ampar

Batam Kepri Indonesia 29454 [vistanainsinyurservis@gmail.com](mailto:vistanainsinyurservis@gmail.com)

# Tin Roof Mounting

The Tin roof mounting system is applied to install on a sheet metal roof with special roof hooks, rails. Rails splice kits, and can be easily assembled on most metalsheet roofs.

## Specifications:

Standard AS/NZS 1170, Euro Code 8, DIN 1055, IBC 2006

Max wind speed 55m/sec

Snow load 1.4KN/m<sup>2</sup>

Material: Anodized Aluminium 6005-T5 & SUS304

Warranty: 10 Years and 25 Years service live.



## Key Benefit:

- Easy to install, the mounting modules can be attached to the extruded rail from all kinds of positions,
- Durability, the materials of all components is Aluminium 6005-T5 and all nuts and hooks are made of Stainless steel
- Design live more than 25 years and warranty of 10 years on all parts.



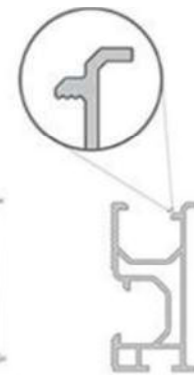
PT Vistana Insinyur Servis Co. reg. no (NPWP): 03.297.743.1-215.000

Sakura Garden Block AA no 7 Kampung Seraya Batu Ampar

Batam Kepri Indonesia 29454 [vistanainsinyurservis@gmail.com](mailto:vistanainsinyurservis@gmail.com)

# Rail System

## The Rail:



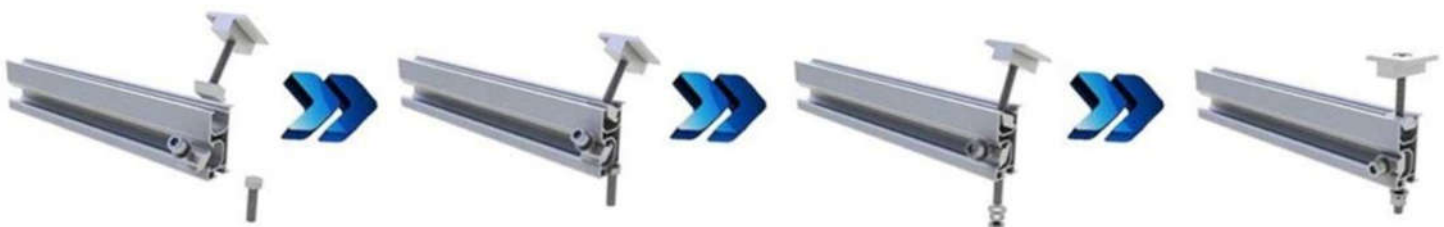
Item No.	Description
R-2560	Rail with a standard length of 2560 mm Designed to mount 3 modules ( width 808~826mm )
R-3405	Rail with a standard length of 3405 mm Designed to mount 4 modules ( width 808~826mm )
R-4200	Rail with a standard length of 4200 mm Designed to mount 4 modules ( width 990~996mm )
R-4400	Rail with a standard length of 4400 mm Designed to mount 4 modules ( width 1060~1065mm )
<b>Customized Length</b>	
Rail	Rail with standard length



R-SPK

## Rail Splice Kit:

Item No.	Description
R-SPK	standard splice kit connect two piece of rails



PT Vistana Insinyur Servis Co. reg. no (NPWP): 03.297.743.1-215.000

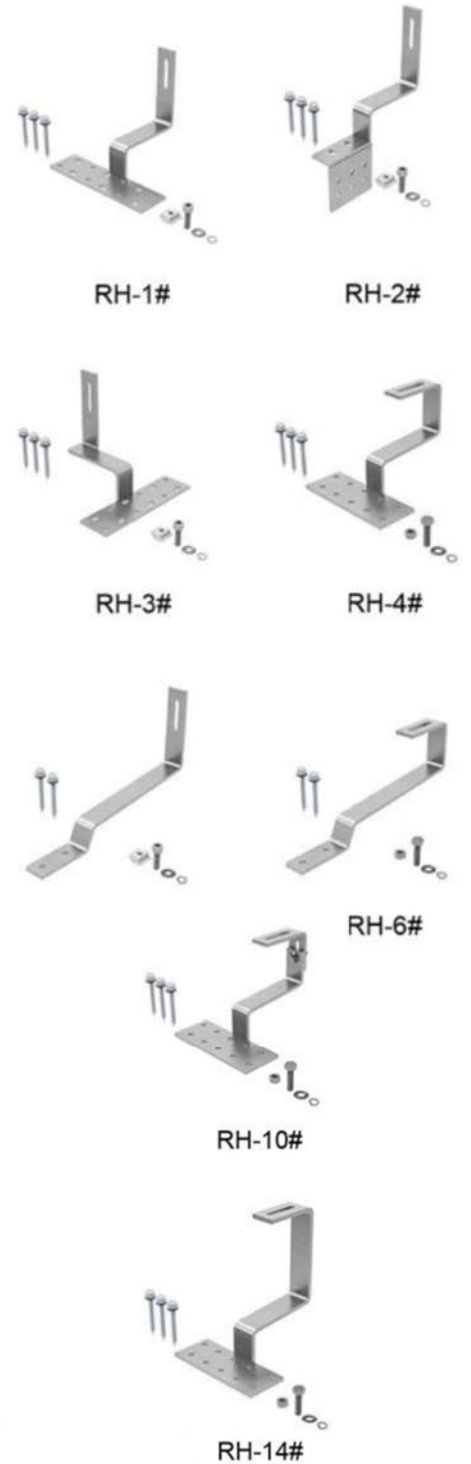
Sakura Garden Block AA no 7 Kampung Seraya Batu Ampar

Batam Kepri Indonesia 29454 [vistanainsinyurservis@gmail.com](mailto:vistanainsinyurservis@gmail.com)

# Tile roof hooks:

Material Stainless steel 304 & A2-70 bolts

Item No.	Description
RH-1#	Stainless Steel Hook 1#
RH-2#	Stainless Steel Hook 2#
RH-3#	Stainless Steel Hook 3#
RH-4#	Stainless Steel Hook 4#
RH-5#	Stainless Steel Hook 5#
RH-6#	Stainless Steel Hook 6#
RH-7#	Stainless Steel Hook 7#
RH-8#	Stainless Steel Hook 8#
RH-9#	Stainless Steel Hook 9#
RH-10#	Stainless Steel Hook 10#
RH-11#	Stainless Steel Hook 11#
RH-12#	Stainless Steel Hook 12#-135mm
RH-13#	Stainless Steel Hook 13#-165mm
RH-14#	Stainless Steel Hook 14#-195mm



PT Vistana Insinyur Servis Co. reg. no (NPWP): 03.297.743.1-215.000

Sakura Garden Block AA no 7 Kampung Seraya Batu Ampar

Batam Kepri Indonesia 29454 [vistanainsinyurservis@gmail.com](mailto:vistanainsinyurservis@gmail.com)

# Tin roof hooks:

**Material Anodized Aluminium 6005-T5 &  
Stainless steel 304 & A2-70 bolts**

Item No.	Description
TH-L	Aluminum Tin Interface Hook L Feet, Fix Rail To Tin Roof
TH-T	Aluminum Tin Interface Hook T Feet, Fix Rail To Tin Roof
TH-1#	Stainless Steel Tin Roof Hook 1#
TH-2#	Stainless Steel Tin Roof Hook 2#
TH-3#	Stainless Steel Tin Roof Hook 3#
TH-M10	Double Threaded Screw M10*200mm
ICK-35	Inner Clamp Kit 35mm
ICK-40	Inner Clamp Kit 40mm
ICK-45	Inner Clamp Kit 45mm
ICK-50	Inner Clamp Kit 50mm
ECK-35	End Clamp Kit 35mm
ECK-40	End Clamp Kit 40mm
ECK-45	End Clamp Kit 45mm
ECK-50	End Clamp Kit 50mm



TH-L



TH-T



TH-M10



TH-1#



TH-2#



TH-3#



ICK



ECK

PT Vistana Insinyur Servis Co. reg. no (NPWP): 03.297.743.1-215.000

Sakura Garden Block AA no 7 Kampung Seraya Batu Ampar

Batam Kepri Indonesia 29454 [vistanainsinyurservis@gmail.com](mailto:vistanainsinyurservis@gmail.com)

# Adjustable Mounting

Adjustable Mounting System can be adjusted to a certain angle such

As 10-15,15-30,30-60 degrees for your requirements.

The Extruded Aluminum rail, tilt-in module, clamp kit and

Adjustable Legs are highly assembled and save time

## Specifications:

Standard AS/NZS 1170, Euro Code 8, DIN 1055, IBC 2006

Max wind speed 55m/sec

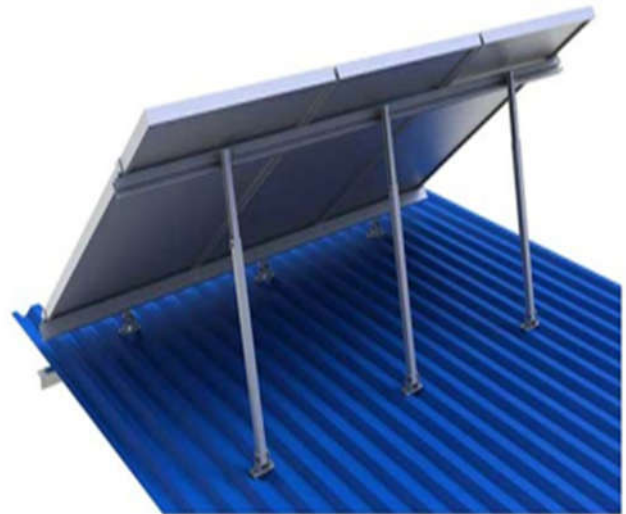
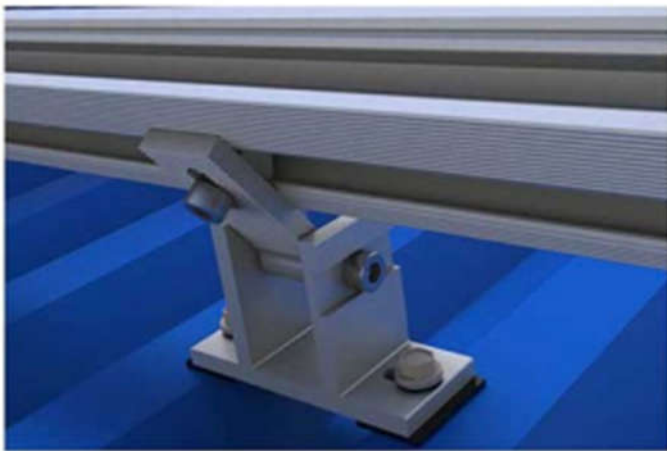
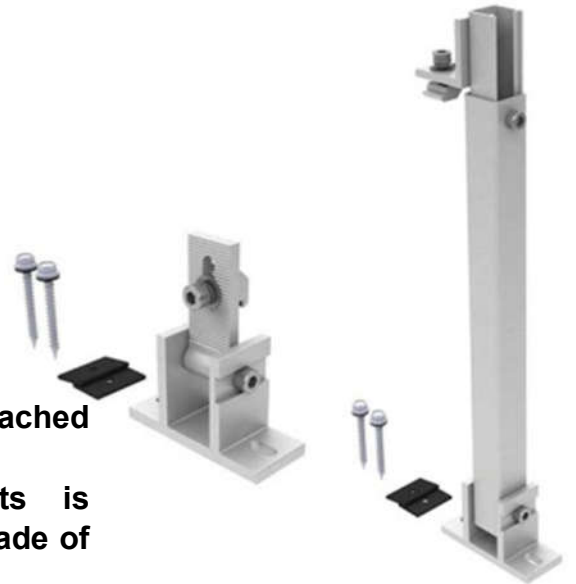
Snow load 1.4KN/m<sup>2</sup>

Material: Anodized Aluminum 6005-T5 & SUS304

Warranty: 10 Years and 25 Years' service live

## Key Benefit:

- Easy to install, the mounting modules can be attached to the extruded rail from all kinds of positions,
- Durability, the materials of all components is Aluminum 6005-T5 and all nuts and hooks are made of Stainless steel
- Design live more than 25 years and warranty of 10 years on all parts.



PT Vistana Insinyur Servis Co. reg. no (NPWP): 03.297.743.1-215.000

Sakura Garden Block AA no 7 Kampung Seraya Batu Ampar

Batam Kepri Indonesia 29454 [vistanainsinyurservis@gmail.com](mailto:vistanainsinyurservis@gmail.com)

# Adjustable Mounting

## ADJUSTABLE ROOF REAR SUPPORT LEG

Material Anodized Aluminium 6005-T5 &

Stainless steel 304 & A2-70 bolts

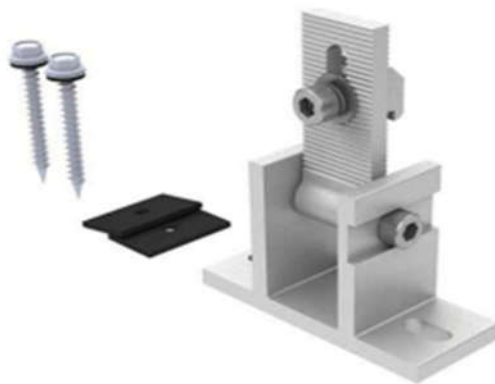
Item No.	Description
AD-RL-1	Adjustable Tin Roof Rear Support Leg 10-15degree
AD-RL-2	Adjustable Tin Roof Rear Support Leg 15-30degree
AD-RL-3	Adjustable Tin Roof Rear Support Leg 30-60degree

## ADJUSTABLE ROOF FRONT SUPPORT LEG

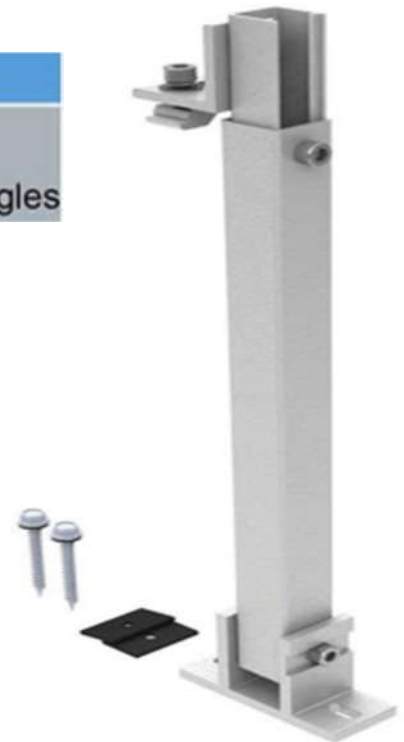
Material Anodized Aluminium 6005-T5 &

Stainless steel 304 & A2-70 bolts

Item No.	Description
AD-FL	Adjustable Tin Roof Front Support Leg, Designed To Accommodate To Various Tilt Angles



AD-FL



AD-RL

PT Vistana Insinyur Servis Co. reg. no (NPWP): 03.297.743.1-215.000

Sakura Garden Block AA no 7 Kampung Seraya Batu Ampar

Batam Kepri Indonesia 29454 [vistanainsinyurservis@gmail.com](mailto:vistanainsinyurservis@gmail.com)

# Tripod Mounting

The Tripod Mounting System is applicable to install the solar panels to tilt certain Angle such as 15-30 degree to get most sunlight and uses a stable triangle structure To joint our rail and clamp to the solar panels.

## Specifications:

Standard AS/NZS 1170, Euro Code 8, DIN 1055, IBC 2006

Max wind speed 55m/sec

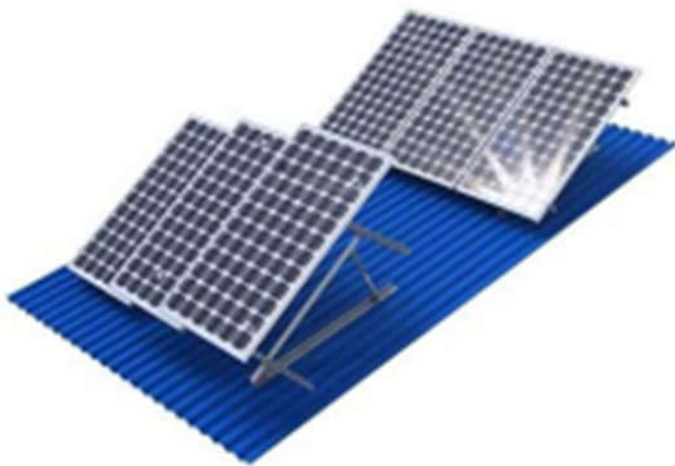
Snow load 1.4KN/m<sup>2</sup>

Material: Anodized Aluminum 6005-T5 & SUS304

Warranty: 10 Years and 25 Years' service live

## Key Benefit

- Easy to install, the mounting modules can be attached to the extruded rail from all kinds of positions,
- Durability, the materials of all components is Aluminum 6005-T5 and all nuts and hooks are made of Stainless steel
- Design live more than 25 years and warranty of 10 years on all parts.



PT Vistana Insinyur Servis Co. reg. no (NPWP): 03.297.743.1-215.000

Sakura Garden Block AA no 7 Kampung Seraya Batu Ampar

Batam Kepri Indonesia 29454 [vistanainsinyurservis@gmail.com](mailto:vistanainsinyurservis@gmail.com)



# Flat Roof Adjustable

The flat roof adjustable mounting system can fix or adjust to a certain degree such as 15-30 degree

## Specifications:

Standard AS/NZS 1170, Euro Code 8, DIN 1055, IBC 2006

Max wind speed 55m/sec

Snow load 1.4KN/m<sup>2</sup>

Material: Anodized Aluminum 6005-T5 & SUS304

Warranty: 10 Years and 25 Years' service live

## Key Benefit:

- Easy to install, the mounting modules can be attached to the extruded rail from all kinds of positions,
- Durability, the materials of all components is Aluminum 6005-T5 and all nuts and hooks are made of Stainless steel
- Design live more than 25 years and warranty of 10 years on all parts.



PT Vistana Insinyur Servis Co. reg. no (NPWP): 03.297.743.1-215.000

Sakura Garden Block AA no 7 Kampung Seraya Batu Ampar

Batam Kepri Indonesia 29454 [vistanainsinyurservis@gmail.com](mailto:vistanainsinyurservis@gmail.com)

# Pole Mounting System

Pole mounting system is designed to 4,6,8,10 panels Each pole which delivers effective, flexible and long term durable and easy to install for saving time.

## Specifications:

Standard AS/NZS 1170, Euro Code 8, DIN 1055, IBC 2006

Max wind speed 55m/sec

Snow load 1.4KN/m<sup>2</sup>

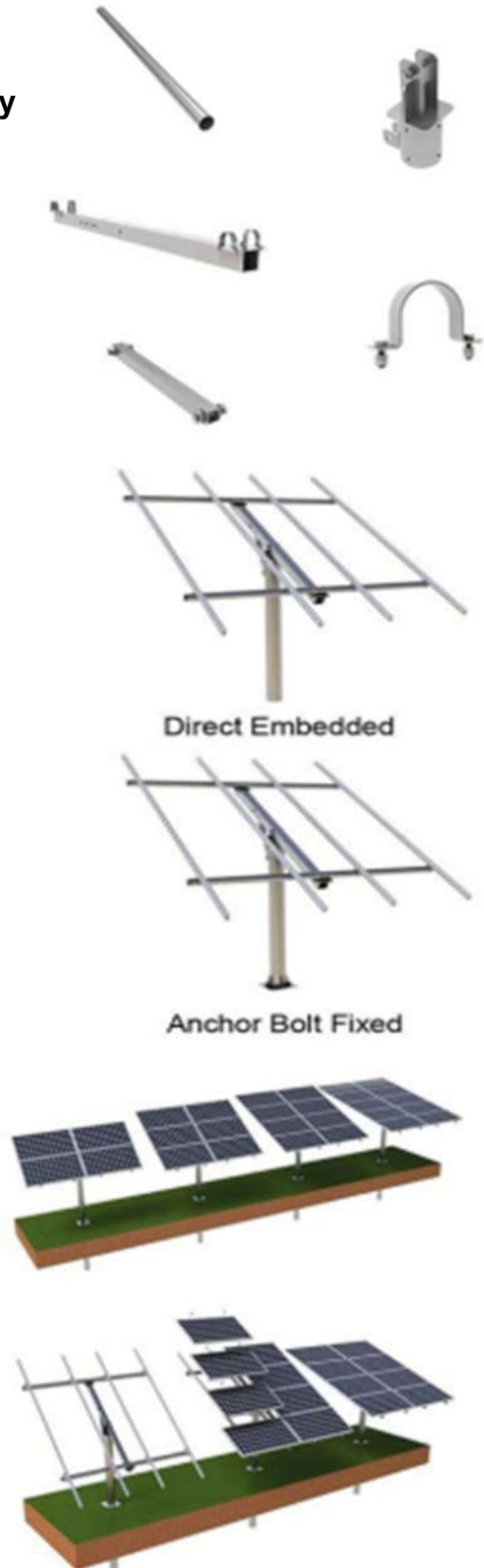
Material: Anodized Aluminum 6005-T5 & SUS304

Warranty: 10 Years and 25 Years' service live

Item No.	Description
PM-04	Designed to mount 4 panels
PM-06	Designed to mount 6 panels
PM-08	Designed to mount 8 panels
PM-10	Designed to mount 10 panels

## Key Benefit:

- Easy to install, the mounting modules can be attached to the extruded rail from all kinds of positions,
- Durability, the materials of all components is Aluminum 6005-T5 and all nuts and hooks are made of Stainless steel
- Design live more than 25 years and warranty of 10 years on all parts.



PT Vistana Insinyur Servis Co. reg. no (NPWP): 03.297.743.1-215.000

Sakura Garden Block AA no 7 Kampung Seraya Batu Ampar

Batam Kepri Indonesia 29454 [vistanainsinyurservis@gmail.com](mailto:vistanainsinyurservis@gmail.com)

# Ground Mounting System

Ground mount system is applicable to use in a large PV System which includes from residential and commercial opening areas.

## Specifications:

Standard AS/NZS 1170, Euro Code 8, DIN 1055, IBC 2006

Max wind speed 55m/sec

Snow load 1.4KN/m<sup>2</sup>

Material: Anodized Aluminum 6005-T5 & SUS304

Warranty: 10 Years and 25 Years' service live

## Key Benefit:

- Easy to install, the mounting modules can be attached to the extruded rail from all kinds of positions,
- Durability, the materials of all components is Aluminum 6005-T5 and all nuts and hooks are made of Stainless steel
- Design live more than 25 years and warranty of 10 years on all parts.



Anchor Bolt Fixed



Direct Embedded

Item No.	Description
HP-RP	Using galvanized tube fix with the ground, material is Q235, surface treatment is hot zinc, the thickness of film more than 80µm
HP-ST	
STC-A	The steel Cap connect the vertical pipe, cross pipe and the rectangular tube
STC-B	
SK	Use U bolt to connect the pipe with rail



HP-RP



HP-ST



SK



STC-A



STC-B

PT Vistana Insinyur Servis Co. reg. no (NPWP): 03.297.743.1-215.000

Sakura Garden Block AA no 7 Kampung Seraya Batu Ampar

Batam Kepri Indonesia 29454 [vistanainsinyurservis@gmail.com](mailto:vistanainsinyurservis@gmail.com)

# Ground Mounting System II

Ground mounting system II is a pre-assembled ground mount system

Suitable for large commercial and utility scale installation.

## Specifications:

Standard AS/NZS 1170, Euro Code 8, DIN 1055, IBC 2006

Max wind speed 55m/sec

Snow load 1.4KN/m<sup>2</sup>

Material: Anodized Aluminum 6005-T5 & SUS304

Warranty: 10 Years and 25 Years' service live

## Key Benefit:

- Easy to install, the mounting modules can be attached to the extruded rail from all kinds of positions,
- Durability, the materials of all components is Aluminum 6005-T5 and all nuts and hooks are made of Stainless steel
- Design live more than 25 years and warranty of 10 years on all parts.



PT Vistana Insinyur Servis Co. reg. no (NPWP): 03.297.743.1-215.000

Sakura Garden Block AA no 7 Kampung Seraya Batu Ampar

Batam Kepri Indonesia 29454 [vistanainsinyurservis@gmail.com](mailto:vistanainsinyurservis@gmail.com)

# Ground Mounting System III

Ground mount system is applicable to use in a large PV System which includes from residential and commercial opening areas. Its not only used in ground but also used on the flat roof.

## Specifications:

Standard AS/NZS 1170, Euro Code 8, DIN 1055, IBC 2006

Max wind speed 55m/sec

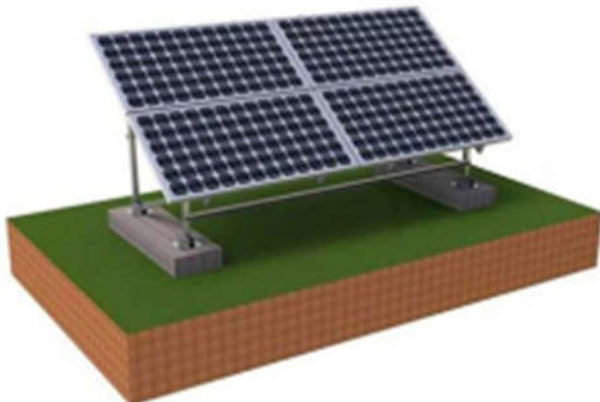
Snow load 1.4KN/m<sup>2</sup>

Material: Anodized Aluminum 6005-T5 & SUS304

Warranty: 10 Years and 25 Years' service live

## Key Benefit:

- Easy to install, the mounting modules can be attached to the extruded rail from all kinds of positions,
- Durability, the materials of all components is Aluminum 6005-T5 and all nuts and hooks are made of Stainless steel
- Design live more than 25 years and warranty of 10 years on all parts.



PT Vistana Insinyur Servis Co. reg. no (NPWP): 03.297.743.1-215.000

Sakura Garden Block AA no 7 Kampung Seraya Batu Ampar

Batam Kepri Indonesia 29454 [vistanainsinyurservis@gmail.com](mailto:vistanainsinyurservis@gmail.com)

# Earthing System

Earthing system is designed to prevent lightning strikes. Its applicable to use in a large PV

System which included from residential and commercial opening areas.

## Earthing Lug

Material: Aluminum 6005-T5 & SUS 304

Item No.	Description
ELG	Used with copper wires to provide a continuous ground on solar PV systems



ELG

## Earthing Clip

Material: Stainless Steel SUS304

Item No.	Description
ECL	Used to bond solar PV modules to mounting structures and create an electrical path to ground



EBJ

## Bonding Jumper

Material: Copper

Item No.	Description
EBJ	Used to create an electrical connection between rails

## Key Benefit:

- Easy to install. The earthing system can be installed on flat roof or ground. Its applicable to use in large PV system
- Durability, the materials of all components is Stainless steel
- High quality strict quality control cover the entire process from material selection and manufacturing to pre-construction ensures optimum life of our mounting



ECL-A



ECL-B

PT Vistana Insinyur Servis Co. reg. no (NPWP): 03.297.743.1-215.000

Sakura Garden Block AA no 7 Kampung Seraya Batu Ampar

Batam Kepri Indonesia 29454 [vistanainsinyurservis@gmail.com](mailto:vistanainsinyurservis@gmail.com)